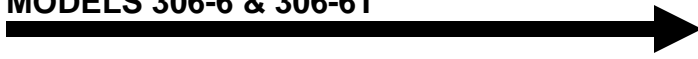


MODELS 306-6 & 306-6T



## ***Card Reader Pedestals***



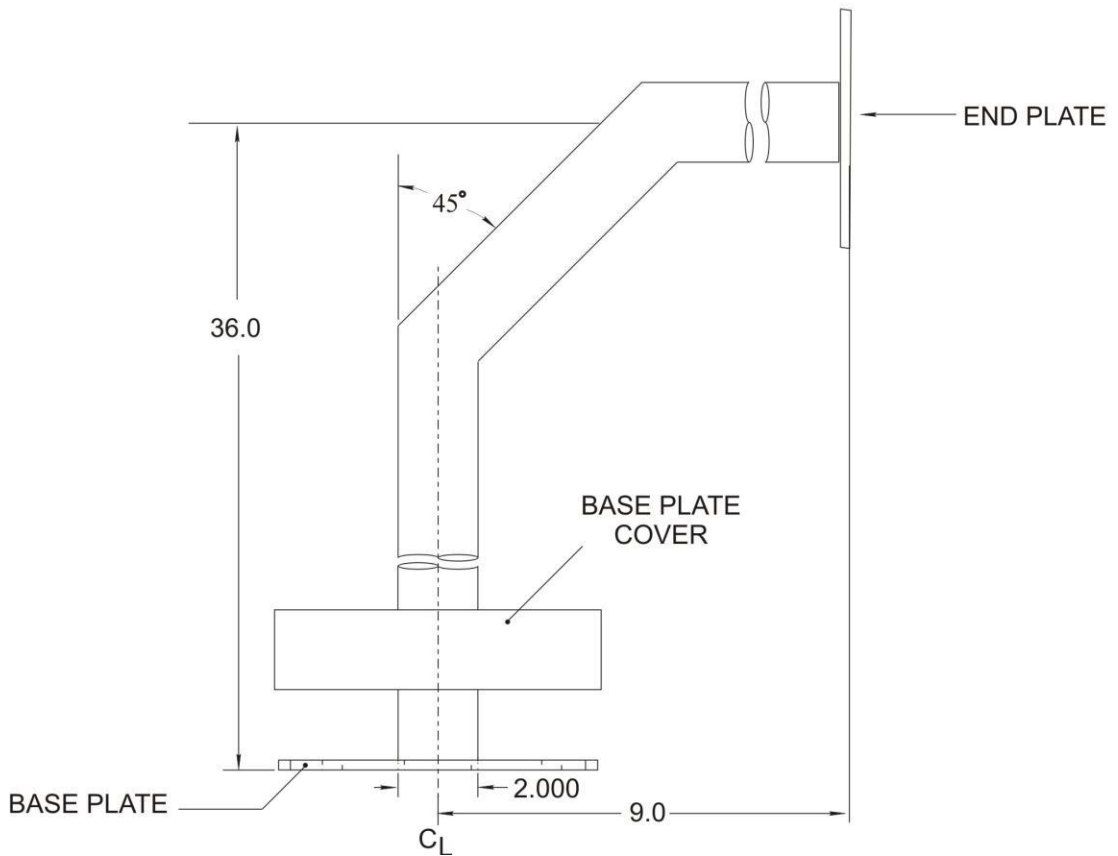
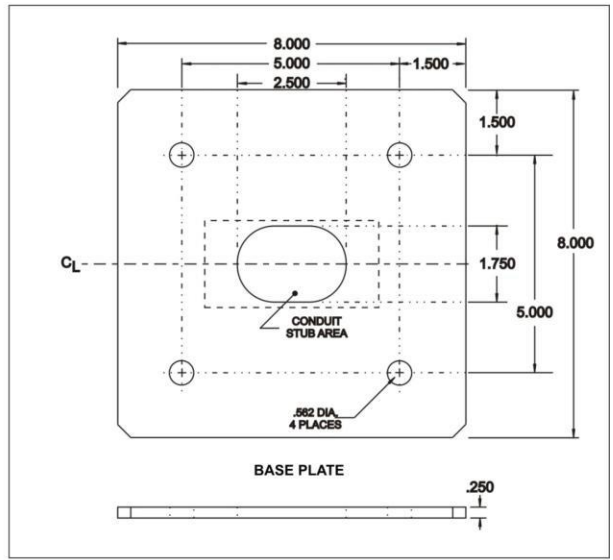
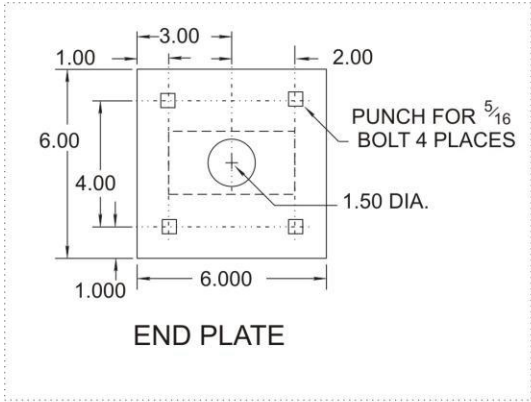
These pedestals are typically used to install card readers or intercoms at drive-up and pedestrian access points. Made of 2" X 4" rectangular steel tubing with an 8" X 8" base plate. A steel base plate cover is provided to conceal the mounting hardware. Housings and adapters are available for these pedestals to accommodate most access control devices such as card readers and intercoms.

**HEIGHT TO CENTER OF MOUNTING PLATE:** 306-6 = 36", 306-6T = 42"  
**ARM EXTENSION:** 9"  
**MATERIAL:** 2" x 4" Rectangular steel tubing  
**FINISH:** White or Black Powder Coat



### **ENGINEERED PARKING SYSTEMS**

25010 AVENUE TIBBITTS, VALENCIA, CA 91355  
PHONE (661) 294-0778 (800) EPSINFO (377-4636) FAX (661) 294-0674  
[www.epsinfo.com](http://www.epsinfo.com)



MODEL 306-6 PEDESTAL GENERAL DIMENSIONS



**ENGINEERED PARKING SYSTEMS**  
 25010 AVENUE TIBBITTS, VALENCIA, CA 91355  
 PHONE (661) 294-0778 (800) EPSINFO (377-4636) FAX (661) 294-0674  
 www.epsinfo.com